

# PARTS LIST

## CAUTION

- The parts identified by the  $\triangle$  symbol are important for the safety . Whenever replacing these parts, be sure to use specified ones to secure the safety .
- The parts not indicated in this Parts List and those which are filled with lines --- in the Parts No. columns will not be supplied .
- P. W. Board Ass'y will not be supplied, but those which are filled with the Parts No. in the Parts No. columns will be supplied .

## ABBREVIATIONS OF RESISTORS, CAPACITORS AND TOLERANCES

RESISTORS		CAPACITORS	
C R	Carbon Resistor	C CAP.	Ceramic Capacitor
F R	Fusible Resistor	E CAP.	Electrolytic Capacitor
P R	Plate Resistor	M CAP.	Mylar Capacitor
V R	Variable Resistor	HV CAP.	High Voltage Capacitor
HV R	High Voltage Resistor	MF CAP.	Metalized Film Capacitor
MF R	Metal Film Resistor	MM CAP.	Metalized Mylar Capacitor
MG R	Metal Glazed Resistor	MP CAP.	Metalized Polystyrol Capacitor
MP R	Metal Plate Resistor	PP CAP.	Polypropylene Capacitor
OM R	Metal Oxide Film Resistor	PS CAP.	Polystyrol Capacitor
CMF R	Coating Metal Film Resistor	TF CAP.	Thin Film Capacitor
UNF R	Non-Flammable Resistor	MPP CAP.	Metalized Polypropylene Capacitor
CH V R	Chip Variable Resistor	TAN. CAP.	Tantalum Capacitor
CH MG R	Chip Metal Glazed Resistor	CH C CAP.	Chip Ceramic Capacitor
COMP. R	Composition Resistor	BP E CAP.	Bi-Polar Electrolytic Capacitor
LPTC R	Linear Positive Temperature Coefficient Resistor	CH AL E CAP.	Chip Aluminum Electrolytic Capacitor
		CH AL BP CAP.	Chip Aluminum Bi-Polar Capacitor
		CH TAN. E CAP.	Chip Tantalum Electrolytic Capacitor
		CH AL BP E CAP.	Chip Tantalum Bi-Polar Electrolytic Capacitor

RESISTORS									
F	G	J	K	M	N	R	H	Z	P
±1%	±2%	±5%	±10%	±20%	±30%	+30% -10%	+50% -10%	+80% -20%	+100% 0%

# CONTENTS

<b>USING P.W. BOARD &amp; REMOTE CONTROL UNIT</b> .....	39
<b>EXPLODED VIEW PARTS LIST-I</b> .....	39
<b>EXPLODED VIEW-I</b> .....	39
<b>EXPLODED VIEW PARTS LIST-II</b> .....	40
<b>EXPLODED VIEW-II</b> .....	41

## **PRINTED WIRING BOARD PARTS LIST (AV-29LS)**

MAIN PW BOARD ASS'Y .....	42
CRT SOCKET PW BOARD ASS'Y .....	45
FRONT CONTROL PW BOARD ASS'Y .....	46
<b>DIFFERENCE PARTS LIST BETWEEN AV-29LS, AV-29LS-AU AND AV-29LH</b> .....	48

## **PRINTED WIRING BOARD PARTS LIST (AV-29LX)**

MAIN PW BOARD ASS'Y .....	49
CRT SOCKET PW BOARD ASS'Y .....	52
FRONT CONTROL PW BOARD ASS'Y .....	52
<b>DIFFERENCE PARTS LIST BETWEEN AV-29LX, AV-29LX-A, AV-29LX-AU AND AV-2908TEE</b> .....	53

## **REMOTE CONTROL UNIT PARTS LIST**

<b>(AV-29LS, AV-29LS-AU, AV-29LH, AV-29LX, AV-29LX-A, AV-29LX-AU AND AV-2908TEE)</b> .....	54
--	----

<b>PACKING / PACKING PARTS LIST</b> .....	55
---	----

## USING P.W. BOARD & REMOTE CONTROL UNIT

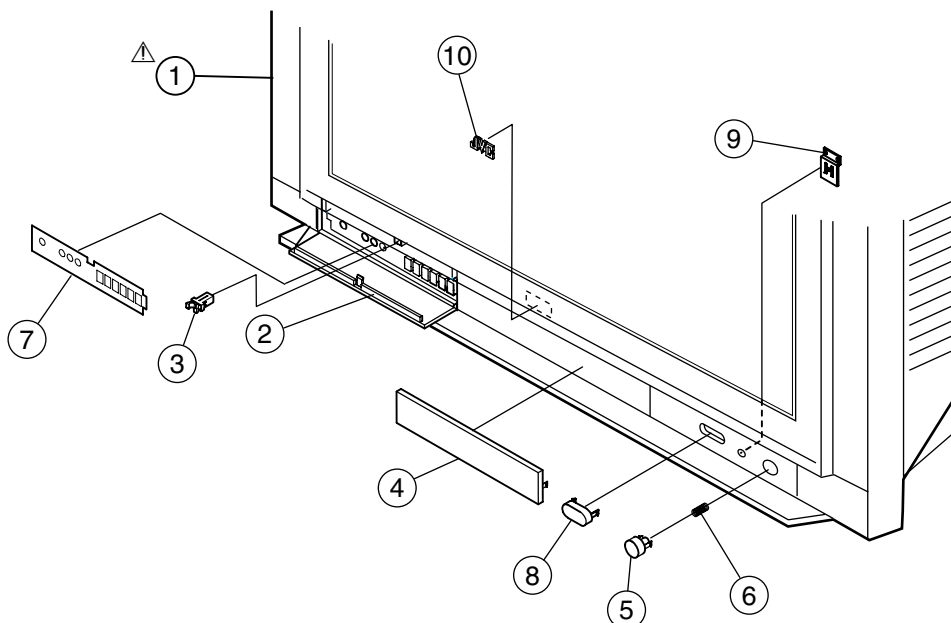
P.W.B ASS'Y	Model	AV-29LS	AV-29LS-AU	AV-29LH
MAIN PWB		SCH-1001A-H2	SCH-1016A-H2	SCH-1015A-H2
CRT SOCKET PWB		SCH-3001A-H2	←	←
FRONT CONTROL PWB		SCH-8001A-H2	←	←
REMOTE CONTROL UNIT		RM-C352-1C	RM-C352-1C	RM-C353-1C

P.W.B ASS'Y	Model	AV-29LX	AV-29LX-A	AV-29LX-AU	AV-2908TEE
MAIN PWB		SCH-1002A-H2	←	SCH-1018A-H2	SCH-1017A-H2
CRT SOCKET PWB		SCH-3001A-H2	←	←	←
FRONT CONTROL PWB		SCH-8001A-H2	←	←	←
REMOTE CONTROL UNIT		RM-C357-1C	←	←	RM-C355-1C

## EXPLODED VIEW PARTS LIST-I

△ Ref.No.	Part No.	Part Name	Description	Local
△ 1	LC11193-001A-H	FRONT CABI ASSY	[AV-29LS, AV-29LS-AU]	
△ 1	LC11193-002A-H	FRONT CABI ASSY	[AV-29LH]	
△ 1	LC11193-003A-H	FRONT CABI ASSY	[AV-29LX, AV-29LX-A, AV-29LX-AU]	
△ 1	LC11193-004A-H	FRONT CABI ASSY	[AV-2908TEE]	
2	LC20776-001B-H	DOOR	[AV-29LS, AV-29LS-AU]	
2	LC20776-002A-H	DOOR	[AV-29LH]	
2	LC20776-003A-H	DOOR	[AV-29LX, AV-29LX-A, AV-29LX-AU]	
2	LC20776-004A-H	DOOR	[AV-2908TEE]	
3	CM48229-00A-C	DOOR LATCH		
4	LC20777-001D-H	CENTER PLATE		
5	LC31475-001A-H	POWER KNOB		
6	CM35235-003-H	SPRING		
7	LC20778-001A-H	OPERATION SHEET		
8	LC31474-001A-H	CONTROL WINDOW		
9	LC31476-001B-H	LED LENS		
10	LC41037-001A	JVC MARK		

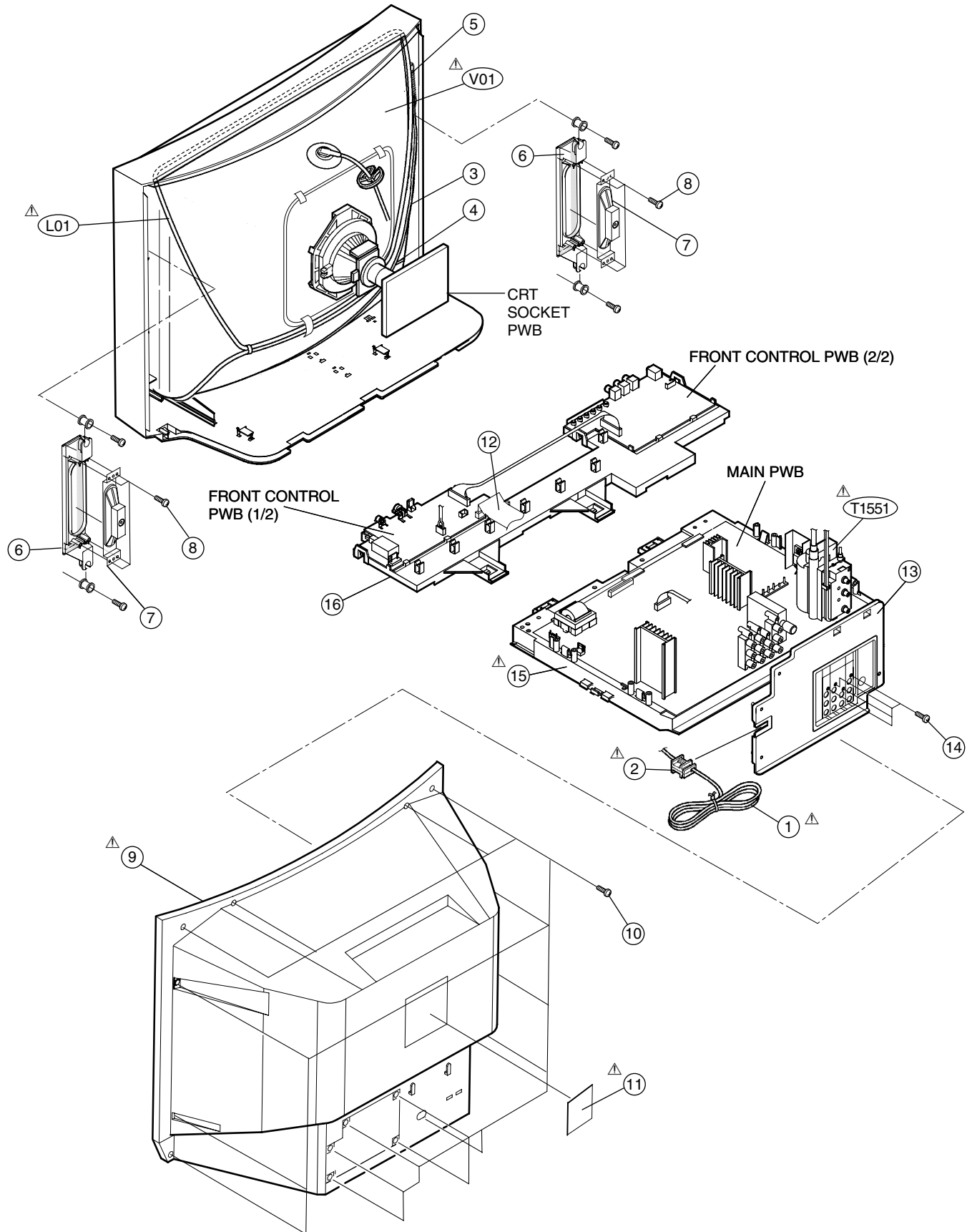
## EXPLODED VIEW-I



## EXPLODED VIEW PARTS LIST-II

△ Ref.No.	Part No.	Part Name	Description	Local
△ V01	A68QCU259X	PICTURE TUBE		
△ L01	QQW0113-001	DEG COIL		
△ T1551	QQH0096-001	FBT		
△ 1	QMP40D0-200J5	POWER CORD	[AV-29LS, AV-29LX, AV2908TEE]	
△ 1	QMPN050-200-E2	POWER CORD	[AV-29LH]	
△ 1	QMP2980-185J5	POWER CORD	[AV-29LS-AU, AV-29LX-AU]	
△ 1	QMPR010-200-E2	POWER CORD	[AV-29LX-A]	
△ 2	CM23167-A01-H	CORD CLAMP		
3	WJY018-001A	BRAIDED ASSY		
4	CHGB0017-0C	BRAIDED ASSY (SUB)		
5	A48457-3-H	SPRING		
6	LC11063-001C-H	SP HOLDER	(X2)	
7	QAS0083-001	SPEAKER	(X2) SP01, SP02	
8	QYSBSBG4016Z	TAPPING SCREW	(X8)	
△ 9	LC10763-004A-HH	REAR COVER	[AV-29LS, AV-29LX, AV-29LX-A, AV-2908TEE]	
△ 9	LC10763-008A-H	REAR COVER	[AV-29LH, AV-29LS-AU, AV-29LX-AU]	
10	QYSBSFG4016Z	TAPPING SCREW	(X16)	
△ 11	LC20377-001B-H	RATING LABEL	[AV-29LS]	
△ 11	LC20377-012B-H	RATING LABEL	[AV-29LH]	
△ 11	LC20377-013B-H	RATING LABEL	[AV-29LS-AU, AV-29LX-AU]	
△ 11	LC20377-010B-H	RATING LABEL	[AV-29LX]	
△ 11	LC20413-002B-H	RATING LABEL	[AV-29LX-A]	
△ 11	LC20377-009B-H	RATING LABEL	[AV-2908TEE]	
12	CHFD125-18BD-N	FFC WIRE		
13	LC11064-002A-H	AV TERMINAL BOARD	[AV-29LS, AV-29LH, AV-29LX, AV-29LX-A, AV-2908TEE]	
13	LC11064-001B-H	AV TERMINAL BOARD	[AV-29LS-AU, AV-29LX-AU]	
14	QYSBSF3012M	TAPING SCREW	(X4)	
△ 15	LC11061-001A-H	CHASSIS BASE		
16	LC11062-001C-H	CONTROL BASE		

# EXPLODED VIEW-II



# PRINTED WIRING BOARD PARTS LIST(AV-29LS)

## MAIN PW BOARD ASS'Y(SCH-1001A-H2)

△ Symbol No.	Part No.	Part Name	Description	Local	△ Symbol No.	Part No.	Part Name	Description	Local
<b>RESISTOR</b>					<b>RESISTOR</b>				
R1001-02	NRSA63J-221X	MG R	220Ω 1/16W	J	R1561	QRL02EJ-220X	OM R	22Ω 2W	J
R1003	NRSA63J-392X	MG R	3.9kΩ 1/16W	J	R1562	QRE121J-123Y	C R	12kΩ 1/2W	J
R1004	NRSA63J-221X	MG R	220Ω 1/16W	J	R1563	QRZ0056-103Z	C R	10kΩ 1/2W	K
R1006	NRSA63J-273X	MG R	27kΩ 1/16W	J	R1591	QRA14CF-1202Y	MF R	12kΩ 1/4W	F
R1101	NRSA63J-100X	MG R	10Ω 1/16W	J	R1592	QRZ0221-2R2	F R	2.2Ω 1/2W	K
R1102	NRSA63J-682X	MG R	6.8kΩ 1/16W	J	R1593	NRSA02F-332X	MG R	3.3kΩ 1/10W	F
R1103	NRSA63J-272X	MG R	2.7kΩ 1/16W	J	R1594	QRE121J-183Y	C R	18kΩ 1/2W	J
R1104	NRSA63J-181X	MG R	180Ω 1/16W	J	R1595	NRSA63J-222X	MG R	2.2kΩ 1/16W	J
R1105	NRSA63J-220X	MG R	22Ω 1/16W	J	R1602	NRSA63J-271X	MG R	270Ω 1/16W	J
R1106	NRSA63J-101X	MG R	100Ω 1/16W	J	R1603-04	NRSA63J-101X	MG R	100Ω 1/16W	J
R1107	NRSA63J-472X	MG R	4.7kΩ 1/16W	J	R1634-35	QRE141J-222Y	C R	2.2kΩ 1/4W	J
R1108-10	NRSA63J-222X	MG R	2.2kΩ 1/16W	J	R1650	NRSA63J-223X	MG R	22kΩ 1/16W	J
R1111	NRSA63J-102X	MG R	1kΩ 1/16W	J	R1651	NCF31AZ-105X	C CAP	1μF	Z
R1112	NRSA63J-103X	MG R	10kΩ 1/16W	J	R1652-53	NRSA63J-222X	MG R	2.2kΩ 1/16W	J
R1113	NRSA63J-221X	MG R	220Ω 1/16W	J	R1654	NRSA63J-223X	MG R	22kΩ 1/16W	J
R1114	NRSA63J-821X	MG R	820Ω 1/16W	J	R1655	NCF31AZ-105X	C CAP	1μF	Z
R1115	NRSA63J-181X	MG R	180Ω 1/16W	J	R1658-59	QRE121J-2R2Y	C R	2.2Ω 1/2W	J
R1117	NRSA63J-102X	MG R	1kΩ 1/16W	J	R1660	NRSA63J-103X	MG R	10kΩ 1/16W	J
R1119	NRSA63J-102X	MG R	1kΩ 1/16W	J	R1661	NRSA63J-683X	MG R	68kΩ 1/16W	J
R1120	NRSA63J-471X	MG R	470Ω 1/16W	J	R1662	NRSA63J-333X	MG R	33kΩ 1/16W	J
R1150	NRSA63J-331X	MG R	330Ω 1/16W	J	R1663	NRSA63J-103X	MG R	10kΩ 1/16W	J
R1151	NRSA63J-222X	MG R	2.2kΩ 1/16W	J	R1664	NRSA63J-222X	MG R	2.2kΩ 1/16W	J
R1152	NRSA63J-121X	MG R	120Ω 1/16W	J	R1665-66	QRE141J-392Y	C R	3.9kΩ 1/4W	J
R1153	NRSA63J-122X	MG R	1.2kΩ 1/16W	J	R1667	NRSA63J-103X	MG R	10kΩ 1/16W	J
R1154	NRSA63J-181X	MG R	180Ω 1/16W	J	R1668	NRSA63J-683X	MG R	68kΩ 1/16W	J
R1301-02	NRSA63J-222X	MG R	2.2kΩ 1/16W	J	R1669	NRSA63J-563X	MG R	56kΩ 1/16W	J
R1303	NRSA63J-562X	MG R	5.6kΩ 1/16W	J	R1670	NRSA63J-153X	MG R	15kΩ 1/16W	J
R1304-05	NRSA63J-222X	MG R	2.2kΩ 1/16W	J	R1671	NRSA63J-272X	MG R	2.7kΩ 1/16W	J
R1306	NRSA63J-562X	MG R	5.6kΩ 1/16W	J	R1672	NRSA63J-563X	MG R	56kΩ 1/16W	J
R1307	NRSA63J-103X	MG R	10kΩ 1/16W	J	R1673-74	NRSA63J-683X	MG R	68kΩ 1/16W	J
R1308	NRSA63J-101X	MG R	100Ω 1/16W	J	R1675	NRSA63J-103X	MG R	10kΩ 1/16W	J
R1309	NRSA63J-104X	MG R	100kΩ 1/16W	J	R1676-77	NRSA63J-472X	MG R	4.7kΩ 1/16W	J
R1310	NRSA63J-473X	MG R	47kΩ 1/16W	J	R1678	NRSA63J-153X	MG R	15kΩ 1/16W	J
R1311	NRSA63J-123X	MG R	12kΩ 1/16W	J	R1679	NRSA63J-272X	MG R	2.7kΩ 1/16W	J
R1401	NRSA63J-224X	MG R	220kΩ 1/16W	J	R1680	NRSA63J-683X	MG R	68kΩ 1/16W	J
R1403	NRSA63J-0R0X	MG R	0.0Ω 1/16W	J	R1688	NRSA63J-273X	MG R	27kΩ 1/16W	J
R1405	NRSA63J-682X	MG R	6.8kΩ 1/16W	J	R1690	NRSA63J-104X	MG R	100kΩ 1/16W	J
R1406	NRSA63J-472X	MG R	4.7kΩ 1/16W	J	R1691	NRSA63J-682X	MG R	6.8kΩ 1/16W	J
R1408	NRSA63J-682X	MG R	6.8kΩ 1/16W	J	R1692	NRSA63J-104X	MG R	100kΩ 1/16W	J
R1410	NRSA63J-472X	MG R	4.7kΩ 1/16W	J	R1693	NRSA63J-103X	MG R	10kΩ 1/16W	J
R1411	QRG01GJ-221	OM R	220Ω 1W	J	R1696	NRSA63J-222X	MG R	2.2kΩ 1/16W	J
R1412	QRE121J-1R0Y	C R	1.0Ω 1/2W	J	R1701	NRSA63J-103X	MG R	10kΩ 1/16W	J
R1413	QRX01GJ-1R2	MF R	1.2Ω 1W	J	R1702-03	NRSA63J-101X	MG R	100Ω 1/16W	J
R1414	QRE121J-2R7Y	C R	2.7Ω 1/2W	J	R1704-06	NRSA63J-102X	MG R	1kΩ 1/16W	J
R1425	NRSA63J-683X	MG R	68kΩ 1/16W	J	R1707-10	NRSA63J-472X	MG R	4.7kΩ 1/16W	J
R1478-79	NRSA63J-101X	MG R	100Ω 1/16W	J	R1711-14	NRSA63J-101X	MG R	100Ω 1/16W	J
R1480	QRE121J-681Y	C R	680Ω 1/2W	J	R1715-17	NRSA63J-103X	MG R	10kΩ 1/16W	J
R1481	NRSA63J-223X	MG R	22kΩ 1/16W	J	R1718-19	NRSA63J-221X	MG R	220Ω 1/16W	J
R1482	NRSA63J-562X	MG R	5.6kΩ 1/16W	J	R1720	NRSA63J-102X	MG R	1kΩ 1/16W	J
R1483	NRSA63J-823X	MG R	82kΩ 1/16W	J	R1721-24	NRSA63J-221X	MG R	220Ω 1/16W	J
R1484	NRSA63J-562X	MG R	5.6kΩ 1/16W	J	R1725	NRSA63J-103X	MG R	10kΩ 1/16W	J
R1485	NRSA63J-123X	MG R	12kΩ 1/16W	J	R1726	NRSA63J-472X	MG R	4.7kΩ 1/16W	J
R1486	NRSA63J-272X	MG R	2.7kΩ 1/16W	J	R1727	NRSA63J-104X	MG R	100kΩ 1/16W	J
R1487	NRSA63J-333X	MG R	33kΩ 1/16W	J	R1728	NRSA63J-103X	MG R	10kΩ 1/16W	J
R1489	NRSA63J-122X	MG R	1.2kΩ 1/16W	J	R1730	NRSA63J-223X	MG R	22kΩ 1/16W	J
R1490	NRSA63J-102X	MG R	1kΩ 1/16W	J	R1731	NRSA63J-101X	MG R	100Ω 1/16W	J
R1491	NRSA63J-562X	MG R	5.6kΩ 1/16W	J	R1732	NRSA02F-393X	MF R	39kΩ	F
R1492	NRSA63J-822X	MG R	8.2kΩ 1/16W	J	R1733	NRSA63J-273X	MG R	27kΩ 1/16W	J
R1493	QRE121J-223Y	C R	22kΩ 1/2W	J	R1734	NRSA63J-391X	MG R	390Ω 1/16W	J
R1494	QRL03EJ-330X	OM R	33Ω 3W	J	R1735	NRSA63J-104X	MG R	100kΩ 1/16W	J
R1521	NRSA63J-101X	MG R	100Ω 1/16W	J	R1736	NRSA63J-333X	MG R	33kΩ 1/16W	J
R1522	NRSA63J-102X	MG R	1kΩ 1/16W	J	R1737	NRSA63J-272X	MG R	2.7kΩ 1/16W	J
R1523-24	QRL03EJ-151X	OM R	150Ω 3W	J	R1738	NRSA63J-103X	MG R	10kΩ 1/16W	J
R1526	QRL029J-271	OM R	270Ω 2W	J	R1739-41	NRSA63J-101X	MG R	100Ω 1/16W	J
R1527	QRL03EJ-103X	OM R	10kΩ 3W	J	R1742	NRSA63J-0R0X	MG R	0.0Ω 1/16W	J
R1528-29	QRX029J-3R3	MF R	3.3Ω	J	R1744	NRSA63J-561X	MG R	560Ω 1/16W	J
R1531	NRSA63J-182X	MG R	1.8kΩ 1/16W	J	R1745	NRSA63J-105X	MG R	1MΩ 1/16W	J
△ R1532	QRZ9017-4R7	F R	4.7Ω 1/4W	J	R1746	NRSA63J-333X	MG R	33kΩ 1/16W	J
R1541-42	QRE121J-124Y	C R	120kΩ 1/2W	J	R1747	NRSA63J-103X	MG R	10kΩ 1/16W	J
R1543	QRE121J-471Y	C R	470Ω 1/2W	J	R1748	QRE141J-394Y	C R	390kΩ 1/4W	J
R1545	QRE121J-220Y	C R	22Ω 1/2W	J	R1749	QRE141J-334Y	C R	330kΩ 1/4W	J
R1546	QRE121J-822Y	C R	8.2kΩ 1/2W	J	R1755-56	NRSA63J-101X	MG R	100Ω 1/16W	J

△	Symbol No.	Part No.	Part Name	Description	Local	△	Symbol No.	Part No.	Part Name	Description	Local	
<b>RESISTOR</b>						<b>CAPACITOR</b>						
	R1757-58	NRSA63J-222X	MG R	2.2kΩ 1/16W J		C1001	NCB31HK-103X	C CAP.	0.01μF	50V	K	
	R1803	NRSA63J-333X	MG R	33kΩ 1/16W J		C1002	QETN1HM-106Z	E CAP.	10μF	50V	M	
	R1804-07	NRSA63J-750X	MG R	75Ω 1/16W J		C1003	QFV71HJ-104Z	MF CAP.	0.1μF	50V	J	
	R1808	NRSA63J-823X	MG R	82kΩ 1/16W J		C1004	QETN1CM-477Z	E CAP.	470μF	16V	M	
	R1809	NRSA63J-391X	MG R	390Ω 1/16W J		C1005	NCB31HK-222X	CH C CAP.	2200pF	50V	K	
	R1810	NRSA63J-823X	MG R	82kΩ 1/16W J		C1006	QETN1CM-336Z	E CAP.	33μF	16V	M	
	R1811	NRSA63J-391X	MG R	390Ω 1/16W J		C1007	NCB31HK-103X	C CAP.	0.01μF	50V	K	
	R1812	NRSA63J-104X	MG R	100kΩ 1/16W J		C1101-05	NCB31HK-472X	C CAP.	4700pF	50V	K	
	R1813	NRSA63J-222X	MG R	2.2kΩ 1/16W J		C1106-07	NCB31HK-103X	C CAP.	0.01μF	50V	K	
	R1815	NRSA63J-101X	MG R	100Ω 1/16W J		C1108	NCB31HK-472X	C CAP.	4700pF	50V	K	
	R1818	NRSA63J-222X	MG R	2.2kΩ 1/16W J		C1109	QETN1HM-106Z	E CAP.	10μF	50V	M	
	R1820	NRSA63J-101X	MG R	100Ω 1/16W J		C1150-51	NCB31HK-472X	C CAP.	4700pF	50V	K	
	R1821	NRSA63J-222X	MG R	2.2kΩ 1/16W J		C1301-02	NCB31CK-104X	CH C CAP.	0.1μF	16V	K	
	R1823	NRSA63J-101X	MG R	100Ω 1/16W J		C1303-05	NCB31HK-103X	C CAP.	0.01μF	50V	K	
	R1824	NRSA63J-222X	MG R	2.2kΩ 1/16W J		C1306	NCB31CK-104X	CH C CAP.	0.1μF	16V	K	
	R1826	NRSA63J-101X	MG R	100Ω 1/16W J		C1307	NDC31HJ-330X	C CAP.	33pF	50V	J	
	R1830-31	NRSA63J-222X	MG R	2.2kΩ 1/16W J		C1308	NCB31HK-103X	C CAP.	0.01μF	50V	K	
	R1832	NRSA63J-391X	MG R	390Ω 1/16W J		C1401	QETN1HM-105Z	E CAP.	1μF	50V	M	
	R1833	NRSA63J-331X	MG R	330Ω 1/16W J		C1402	QCB31HK-682Z	C CAP.	6800pF	50V	K	
	R1834-35	NRSA63J-562X	MG R	5.6kΩ 1/16W J		C1403	QEHR1VM-107Z	E CAP.	100μF	35V	M	
	R1836	NRSA63J-750X	MG R	75Ω 1/16W J		C1411-12	NCF21HZ-334X	C CAP.	0.33μF		Z	
	R1837	NRSA63J-101X	MG R	100Ω 1/16W J		C1413	QFLC2AJ-563Z	M CAP.	0.05μF	100V	J	
	R1838	QRK126J-121X	C R	120Ω 1/2W J		C1422	QEHR1VM-108Z	E CAP.	1000μF	35V	M	
	R1839-40	QRE121J-221Y	C R	220Ω 1/2W J		C1471	QETN1HM-106Z	E CAP.	10μF	50V	M	
	R1841-42	NRSA63J-0R0X	MG R	0.0Ω 1/16W J		C1480	QETN1HM-106Z	E CAP.	10μF	50V	M	
	R1843	NRSA63J-821X	MG R	820Ω 1/16W J		C1483	QEZ0195-475Z	E CAP.	4.7μF	50V	M	
	R1844	NRSA63J-222X	MG R	2.2kΩ 1/16W J		C1485	QETN1HM-226Z	E CAP.	22μF	50V	M	
	R1845	NRSA63J-102X	MG R	1kΩ 1/16W J		C1521	QETN1VM-476Z	E CAP.	47μF	35V	M	
	R1846	NRSA63J-222X	MG R	2.2kΩ 1/16W J		C1522	QFLC1HJ-332Z	M CAP.	3300pF	50V	J	
	R1847	NRSA63J-103X	MG R	10kΩ 1/16W J		C1523	QFLC1HJ-223Z	M CAP.	0.022μF	50V	J	
	R1848	NRSA63J-221X	MG R	220Ω 1/16W J		C1524	QFZ0196-382	MPP CAP.	0.0038μF	1.5kVH ±3%		
	R1849	NRSA63J-471X	MG R	470Ω 1/16W J		C1525	QFZ0200-143	MPP CAP.	0.014μF	1.5kVH ±3%		
	R1880	NRSA63J-202X	MG R	2kΩ 1/16W J		C1526	QFP32JJ-223	PP CAP.	0.022μF		J	
	R1881	NRSA63J-103X	MG R	10kΩ 1/16W J		C1527-28	QFZ0199-224	MPP CAP.	0.22μF	250V	J	
	R1882	NRSA63J-181X	MG R	180Ω 1/16W J		C1529	QENC2AM-225Z	BP E CAP.	2.2μF	100V	M	
	R1883	NRSA63J-471X	MG R	470Ω 1/16W J		C1530	QCB32HK-561Z	C CAP.	560pF	500V	K	
	R1902	QRF154K-2R2	UNF R	2.2Ω	K	C1531	QEHR1EM-108Z	E CAP.	1000pF	25V	M	
	R1903	QRL039J-473	OM R	47kΩ	3W	J	C1532	QCB32HK-561Z	C CAP.	560pF	500V	K
	R1904	QRE121J-681Y	C R	680Ω	1/2W	J	C1533	QEHR1EM-108Z	E CAP.	1000pF	25V	M
	R1905	QRM034J-R10	MP R	0.1Ω	J		C1534	QCB32HK-561Z	C CAP.	560pF	500V	K
	R1908	NRSA63J-103X	MG R	10kΩ 1/16W J		C1536	QFLC1HJ-103Z	M CAP.	0.01μF	50V	J	
	R1909	QRE121J-274Y	C R	270kΩ 1/2W J		C1540	QFV71HJ-104Z	MF CAP.	0.1μF	50V	J	
	R1911	QRE121J-472Y	C R	4.7kΩ 1/2W J		C1541	QETN2EM-106Z	E CAP.	10μF	250V	M	
	R1912	QRE121J-222Y	C R	2.2kΩ 1/2W J		C1550	NCB31CK-104X	CH C CAP.	0.1μF	16V	K	
△	R1913	QRZ9017-4R7	F R	4.7Ω 1/4W J		C1561	QFV71HJ-154Z	MF CAP.	0.15μF	50V	J	
	R1914	QRL039J-473	OM R	47kΩ	3W	J	C1566	QFZ0200-113	MPP CAP.	0.011μF	1.5kVH ±3%	
	R1915	QRE121J-394Y	C R	390kΩ 1/2W J		C1591	QETN1AM-107Z	E CAP.	100μF	10V	M	
	R1916	QRE121J-332Y	C R	3.3kΩ 1/2W J		C1592	QETM2CM-227	E CAP.	220μF	160V	M	
	R1917	NRSA63J-101X	MG R	100Ω 1/16W J		C1593	QETN1EM-476Z	E CAP.	47μF	25V	M	
	R1918	NRSA63J-224X	MG R	220kΩ 1/16W J		C1602	NCB31HK-103X	C CAP.	0.01μF	50V	K	
	R1919	NRSA63J-104X	MG R	100kΩ 1/16W J		C1603	QETN1CM-107Z	E CAP.	100μF	16V	M	
	R1920	NRSA63J-473X	MG R	47kΩ 1/16W J		C1604	NCB31CK-104X	CH C CAP.	0.1μF	16V	K	
	R1921	QRE121J-563Y	C R	56kΩ 1/2W J		C1606-07	NDC31HJ-2R0X	C CAP.	2.0pF	50V	J	
	R1951	QRE121J-223Y	C R	22kΩ 1/2W J		C1608-09	NCB31HK-103X	C CAP.	0.01μF	50V	K	
	R1952	NRSA63J-222X	MG R	2.2kΩ 1/16W J		C1610	QETN1HM-106Z	E CAP.	10μF	50V	M	
	R1953	QRE121J-152Y	C R	1.5kΩ 1/2W J		C1611	NCB31CK-104X	CH C CAP.	0.1μF	16V	K	
	R1955	QRG01GJ-470	OM R	47Ω	1W	J	C1612	QETN1HM-106Z	E CAP.	10μF	50V	M
	R1957	QRE121J-5R6Y	C R	5.6Ω 1/2W J		C1613	NCB31CK-104X	C CAP.	0.1μF	16V	K	
	R1958	QRL039J-820	OM R	82Ω	3W	J	C1615	QETN1HM-106Z	E CAP.	10μF	50V	M
	R1959	QRE121J-820Y	C R	82Ω 1/2W J		C1616	NCB31CK-104X	CH C CAP.	0.1μF	16V	K	
	R1960	NRSA63J-391X	MG R	390Ω 1/16W J		C1617	QETN1HM-106Z	E CAP.	10μF	50V	M	
	R1961	QRL02EJ-223X	OM R	22kΩ	2W	J	C1619	NCB31CK-104X	CH C CAP.	0.1μF	16V	K
	R1963	QRE121J-332Y	C R	3.3kΩ 1/2W J		C1620	QETN1HM-106Z	E CAP.	10μF	50V	M	
	R1964	NRSA63J-103X	MG R	10kΩ 1/16W J		C1621-22	NCB31HK-102X	C CAP.	1000pF	50V	K	
	R1965	NRSA63J-0R0X	MG R	0.0Ω 1/16W J		C1623-24	NCF31AZ-105X	C CAP.	1μF	10V	Z	
	R1966	NRSA63J-682X	MG R	6.8kΩ 1/16W J		C1650	QEHR1HM-106Z	E CAP.	10μF	50V	M	
	R1967	NRSA63J-473X	MG R	47kΩ 1/16W J		C1651	QEHR1HM-107Z	E CAP.	100μF	50V	M	
	R1969	QRT02EJ-2R7X	MFR	2.7Ω	2W	J	C1652	QETN1HM-106Z	E CAP.	10μF	50V	M
	R1970	NRSA63J-153X	MG R	15kΩ 1/16W J		C1659-61	NCF21HZ-224X	C CAP.	0.22μF	50V	Z	
	R1971	NRSA63J-183X	MG R	18kΩ 1/16W J		C1662	QETN1HM-106Z	E CAP.	10μF	50V	M	
△	R1991	QRZ0057-825	C R	8.2MΩ	1W	J	C1663	NCF21HZ-224X	C CAP.	0.22μF	50V	Z
							C1665	NCB31CK-104X	CH C CAP.	0.1μF	16V	K

△ Symbol No.	Part No.	Part Name	Description	Local
<b>CAPACITOR</b>				
C1666-67	NCB31HK-222X	CH C CAP.	2200pF 50V K	
C1668-69	NCB31CK-104X	CH C CAP.	0.1μF 16V K	
C1670	NCB31HK-223X	CH C CAP.	0.022μF 50V K	
C1671	QETN1CM-476Z	E CAP.	47μF 16V M	
C1672	NCB31EK-473X	CH C CAP.	0.047μF 25V K	
C1673	QETN1CM-336Z	E CAP.	33μF 16V M	
C1674	NCB31CK-104X	CH C CAP.	0.1μF 16V K	
C1675	NCB31EK-473X	CH C CAP.	0.047μF 25V K	
C1676	NCB31HK-223X	CH C CAP.	0.022μF 50V K	
C1681-83	QETN1CM-227Z	E CAP.	220μF 16V M	
C1702	QETN1HM-106Z	E CAP.	10μF 50V M	
C1703-04	NDC31HJ-220X	C CAP.	22pF 50V J	
C1705-06	NCB21EK-224X	CH C CAP.	0.22μF 25V K	
C1707	QETN1HM-107Z	E CAP.	100μF 50V M	
C1709	QETN1CM-107Z	E CAP.	100μF 16V M	
C1710	QFV71HJ-104Z	MF CAP.	0.1μF 50V J	
C1711	NCB31CK-104X	CH C CAP.	0.1μF 16V K	
C1712	QETN1HM-106Z	E CAP.	10μF 50V M	
C1720	QETN1HM-476Z	E CAP.	47μF 50V M	
C1725	NCB31HK-681X	C CAP.	680pF 50V K	
C1730-31	NCB21EK-224X	CH C CAP.	0.22μF 25V K	
C1732	QETN1CM-107Z	E CAP.	100μF 16V M	
C1733	NCB31CK-104X	CH C CAP.	0.1μF 16V K	
C1734-35	NCB31HK-222X	CH C CAP.	2200pF 50V K	
C1736-37	QETN1HM-105Z	E CAP.	1μF 50V M	
C1738	NCB31CK-104X	CH C CAP.	0.1μF 16V K	
C1739	NFV41CJ-104X	MPPS CAP.	0.1μF 16V J	
C1740	QETN1HM-225Z	E CAP.	2.2μF 50V M	
C1741-42	NCB31CK-104X	CH C CAP.	0.1μF 16V K	
C1743	QETN1HM-107Z	E CAP.	100μF 50V M	
C1744	NCB31HK-222X	CH C CAP.	2200pF 50V K	
C1745-47	NCB31EK-473X	CH C CAP.	0.047μF 25V K	
C1749	QETN1HM-106Z	E CAP.	10μF 50V M	
C1751-53	NCB21HK-104X	CH C CAP.	0.1μF 50V K	
C1801-04	QETN1HM-106Z	E CAP.	10μF 50V M	
C1805	QFLC1HJ-104Z	M CAP.	0.1μF 50V J	
C1807-08	NCF31AZ-105X	C CAP.	1μF 10V Z	
C1810	NCF31AZ-105X	C CAP.	1μF 10V Z	
C1811	QFLC1HJ-104Z	M CAP.	0.1μF 50V J	
C1812	NCF31AZ-105X	C CAP.	1μF 10V Z	
C1813	NCB31HK-103X	C CAP.	0.01μF 50V K	
C1814	QFLC1HJ-104Z	M CAP.	0.1μF 50V J	
C1815	NCF31AZ-105X	C CAP.	1μF 10V Z	
C1817	NCF31AZ-105X	C CAP.	1μF 10V Z	
C1819	QFLC1HJ-104Z	M CAP.	0.1μF 50V J	
C1820-21	NCF31AZ-105X	C CAP.	1μF 10V Z	
C1822	QETN1AM-477Z	E CAP.	470μF 10V M	
C1823-24	QETN1CM-107Z	E CAP.	100μF 16V M	
C1825	NCB31HK-103X	C CAP.	0.01μF 50V K	
C1826	QFLC1HJ-104Z	M CAP.	0.1μF 50V J	
C1827	NCB31HK-103X	C CAP.	0.01μF 50V K	
C1829-31	NCB31HK-103X	C CAP.	0.01μF 50V K	
C1834	NDC31HJ-181X	C CAP.	180pF 50V J	
△ C1902	QFZ9073-104	MF CAP.	0.1μF	
C1903	QCZ9015-102Z	C CAP.	1000pF 250V Z	
C1904	QCZ9015-102Z	C CAP.	1000pF 250V Z	
C1905	QCZ9015-102Z	C CAP.	1000pF 250V Z	
C1907	QEZ0371-337	E CAP.	330μF 400V M	
C1909	QCZ0325-821	C CAP.	820pF 2000V K	
C1910	NDC31HJ-471X	C CAP.	470pF 50V J	
C1911	QETN1HM-476Z	E CAP.	47μF 50V M	
C1916	QETN1EM-476Z	E CAP.	47μF 25V M	
C1917	QCB32HK-181Z	C CAP.	180pF 500V K	
C1918	QCB32HK-103	C CAP.	0.01μF 500V K	
C1919	QCZ0325-391	C CAP.	390pF 2000V K	
C1952	QCB32HK-471Z	C CAP.	470pF 500V K	
C1953	QEHQ1VM-228	E CAP.	2200μF 35V M	
C1955	QCB32HK-471Z	C CAP.	470pF 500V K	
C1956	QETN1VM-107Z	E CAP.	100μF 35V M	
C1957	QCB31HK-471Z	C CAP.	470pF 50V K	
C1958	QEH1CM-108Z	E CAP.	1000μF 16V M	
C1959	QCZ0364-561	C CAP.	560pF	

△ Symbol No.	Part No.	Part Name	Description	Local
<b>CAPACITOR</b>				
C1960	QEZ0203-227	E CAP.	220μF 160V M	
C1962	QETN1HM-106Z	E CAP.	10μF 50V M	
C1963	QETN1CM-477Z	E CAP.	470μF 16V M	
C1964	QETN1CM-476Z	E CAP.	47μF 16V M	
C1965	QETN1VM-476Z	E CAP.	47μF 35V M	
C1966	QETN1CM-107Z	E CAP.	100μF 16V M	
C1968	NCB31CK-104X	CH C CAP.	0.1μF 16V K	
C1970	QETN1AM-107Z	E CAP.	100μF 10V M	
C1972	QETN1HM-476Z	E CAP.	47μF 50V M	
C1974	NCB31CK-104X	C CAP.	0.1μF 16V K	
C1975	QETN1CM-227Z	E CAP.	220μF 16V M	
C1977	QETN1EM-476Z	E CAP.	47μF 25V M	
C1978	NCB21HK-104X	CH C CAP.	0.1μF 50V K	
C1980	QETN1CM-107Z	E CAP.	100μF 16V M	
C1981	NCB31HK-102X	C CAP.	1000pF 50V K	
C1982	QETN1CM-476Z	E CAP.	47μF 16V M	
△ C1991	QCZ9079-102	C CAP.	1000pF 250V M	
△ C1992-93	QCZ9079-471	C CAP.	470pF 250V K	
<b>TRANSFORMER</b>				
T1521	QQR1229-001	DRIVE TRANSF		
△ T1551	QQH0096-001	FBT		
T1561	QQR1153-001	DEF.TRANSF.		
△ T1901	QQS0110-001	SW TRANSF		
<b>COIL</b>				
L1001-02	QQL244K-8R2Z	COIL	8.2μH	K
L1101	QQLZ014-2R2	PEAKING COIL	2.2μH	
L1102	QQL244K-8R2Z	COIL	8.2μH	K
L1103	QQL244K-6R8Z	COIL	6.8μH	K
L1104	QQL244K-180Z	COIL	18μH	K
L1301	QQL244K-221Z	PEAKING COIL	220μH	K
L1401	QQL26AK-220Z	COIL	22μH	K
L1480	QQR1138-001	CHOKO COIL		
L1523	QQR1243-001	LINEARITY COIL		
L1541	QQL244K-220Z	PEAKING COIL	22μH	Z
L1561	QQLZ028-272	CHOKO COIL	2.7mH	
L1601	QQL244K-4R7Z	COIL	4.7μH	K
L1701-02	QQL244K-100Z	COIL	10μH	K
L1951	QQLZ034-460	HEATER CHOKO	46μH	
L1953	QQL244J-5R6Z	COIL	5.6μH	J
L1954	QQL26AK-820Z	COIL	82μH	K
<b>DIODE</b>				
D1101	DAN235K-X	SI.DIODE		
D1401	RGP10J-5025-T3	SI.DIODE		
D1402	MTZJ75-T2	ZENER DIODE		
D1405	1N4003-T2	SI.DIODE		
D1408	MA111-X	SI.DIODE		
D1480	MTZJ4.3A-T2	ZENER DIODE		
D1521	RH3G-F1	SI.DIODE		
D1522	31DF6N-FC5	DIODE		
D1523	RGP10J-5025-T3	SI.DIODE		
D1541	RGP10J-5025-T3	SI.DIODE		
D1550	MA111-X	SI.DIODE		
D1551	EU2-T3	SI.DIODE		
D1553	RGP10J-5025-T3	SI.DIODE		
D1554	RGP10J-5025-T3	SI.DIODE		
D1592	MA3075/H/-X	ZENER DIODE		
D1652-53	MA3330/L/-X	ZENER DIODE		
D1682	MA111-X	SI.DIODE		
D1683	NRSA63J-0R0X	MG R	0.0Ω 1/16W	J
D1702	MA3020-X	ZENER DIODE		
D1703	MTZJ4.7A-T2	ZENER DIODE		
D1730-33	MA111-X	SI.DIODE		
D1901	GSIB460	BRIDGE DIODE		
D1902	MTZJ33B-T2	ZENER DIODE		
D1903	1SS133-T2	SI.DIODE		
D1906	MTZJ27B-T2	ZENER DIODE		
D1907	MTZJ33B-T2	ZENER DIODE		



△ Symbol No.	Part No.	Part Name	Description	Local
<b>DIODE</b>				
D1908	MA3200/M-X	ZENER DIODE		
D1909	MA111-X	SI.DIODE		
D1910	MA3075/H-X	ZENER DIODE		
D1911	RGP10J-5025-T3	SI.DIODE		
D1912	RGP10J-5025-T3	SI.DIODE		
D1913	RGP10M-5010-T3	SI DIODE		
D1914	1SS133-T2	SI.DIODE		
D1915	MA3068/M-X	ZENER DIODE		
D1916	MTZJ15B-T2	ZENER DIODE		
D1950	RGP10J-5025-T3	SI.DIODE		
D1952	ERC30-02L38	SI.DIODE		
D1953	RGP10J-5025-T3	SI.DIODE		
D1954	RU30A-F1	SI.DIODE		
D1955	1SR35-400A-T2	SI.DIODE		
D1956	31DF6N-FC5	DIODE		
D1958	MTZJ5.1A-T2	ZENER DIODE		
D1960	MA111-X	SI.DIODE		
D1964	MA3330/L-X	ZENER DIODE		
D1966	MA3039/H-X	ZENER DIODE		
D1968-69	MA111-X	SI.DIODE		
D1970	MTZJ9.1B-T2	ZENER DIODE		
D1971	MA111-X	SI.DIODE		

<b>TRANSISTOR</b>				
Q1101	2SC5083/L-P-T	SI.TRANSISTOR		
Q1102-03	DTC124EKA-X	DIGI.TRANSISTOR		
Q1104	2SA1037AK/QR-X	SI.TRANSISTOR		
Q1105-06	DTC124EKA-X	DIGI.TRANSISTOR		
Q1107	2SA1037AK/QR-X	SI.TRANSISTOR		
Q1108	2SC2412K/QR-X	SI.TRANSISTOR		
Q1109	2SA1037AK/QR-X	SI.TRANSISTOR		
Q1110	DTC124EKA-X	DIGI.TRANSISTOR		
Q1111	2SC2412K/QR-X	SI.TRANSISTOR		
Q1150	2SC2412K/QR-X	SI.TRANSISTOR		
Q1301-02	2SA1037AK/QR-X	SI.TRANSISTOR		
Q1303	DTC124EKA-X	DIGI.TRANSISTOR		
Q1304	2SC2412K/QR-X	SI.TRANSISTOR		
Q1480	2SD1408/OY-LB	SI.TRANSISTOR		
Q1521	2SC2655/Y-T	SI.TRANSISTOR		
Q1522	2SD2634-YD	SI.TRANSISTOR		
Q1591	2SA1208/ST/Z1-T	SI.TRANSISTOR		
Q1592	DTC124EKA-X	DIGI.TRANSISTOR		
Q1660-61	2SC2412K/QR-X	SI.TRANSISTOR		
Q1683-84	2SA1037AK/QR-X	SI.TRANSISTOR		
Q1685-86	DTC323TK-X	DIGI.TRANSISTOR		
Q1687	2SC2412K/QR-X	SI.TRANSISTOR		
Q1701-02	2SA1037AK/QR-X	SI.TRANSISTOR		
Q1703	2SC2412K/QR-X	SI.TRANSISTOR		
Q1720	2SA1037AK/QR-X	SI.TRANSISTOR		
Q1801-02	DTC323TK-X	DIGI.TRANSISTOR		
Q1803	2SA1037AK/QR-X	SI.TRANSISTOR		
Q1804	2SC1740S/QR-T	SI.TRANSISTOR		
Q1833	QETN1HM-226Z	E CAP.	22μF 50V M	
Q1860	2SC2412K/QR-X	SI.TRANSISTOR		
Q1861-62	2SA1037AK/QR-X	SI.TRANSISTOR		
Q1901	2SC3852A	SI TRANSISTOR		
Q1902-03	2SA1037AK/QR-X	SI.TRANSISTOR		
Q1951	2SA1013/RO-T	SI.TRANSISTOR		
Q1952-54	2SC2412K/QR-X	SI.TRANSISTOR		

<b>IC</b>				
IC1301	TDA9181T/N1-X	I.C(MONO-ANA)		
IC1401	LA78041	I.C(MONO-ANA)		
IC1461	JLC1562BF-X	I.C(DIGI-MOS)		
IC1480	UPC358G2-XE	I.C(MONO-ANA)		
IC1601	MSP3415D-QG-B3X	I.C(MONO-ANA)		
IC1650	AN5277	I.C(MONO-ANA)		
IC1665	BA4558F-X	I.C(MONO-ANA)		
IC1701	TDA9365N13S0436	I.C		
IC1702	BR24C08-29LS	I.C(MEMORY-OTH)	(SERVICE)	
IC1801	MM1492AF	I.C		

△ Symbol No.	Part No.	Part Name	Description	Local
<b>IC</b>				
IC1901	STR-F6456S/F7	I.C(HYBRID)		
IC1951	SE135N	I.C(HYBRID)		
IC1972	L88M33T-X	I.C		
IC1973	BA17812T	I.C(MONO-ANA)		
IC1974	BA51W12ST-V5	I.C(MONO-ANA)		

<b>OTHERS</b>				
CF1103	TPSH6.0MB	CERAMIC FILTER		
CF1104	TPS5.5MW	CERAMIC FILTER		
CF1105	TPS6.5MB	CERAMIC FILTER		
CF1106	QAX0639-001Z	CERAMIC FILTER		
△ CP1650	ICP-N50-Y	I.C.PROTECT		
△ CP1951	ICP-N75-Y	I.C.PROTECT		
△ CP1953	ICP-N38-Y	I.C.PROTECT		
J1801	QNN0349-001	PIN JACK		
J1802	QNN0349-002	PIN JACK		
J1803	QNN0348-001	PIN JACK		
J1804	QNN0349-001	PIN JACK		
K1301	CE41433-001Z	BEADS CORE		
K1903	QQR1214-001Y	FERRITE BEADS		
K1904	CE42050-001Z	CORE		
K1951	QQR1214-001Y	FERRITE BEADS		
K1953-55	QQR1214-001Y	FERRITE BEADS		
LC1601	CE42482-103Y	EMI FILTER		
△ LF1901	QQR1035-002	LINE FILTER		
△ PC1901	PC123F2	I.C(PH.COUPLER)		
△ RY1901	QSK0061-001	RELAY		
SF1102	QAX0594-001	SAW FILTER		
TH1901	QAD0134-4R5	W-PTC		
TU1001	QAU0185-003	TUNER		
X1601	CE42546-001Z	CRYSTAL		
X1701	QAX0688-001	X TAL		

**CRT SOCKET PW BOARD ASS'Y(SCH-3001A-H2)**

△ Symbol No.	Part No.	Part Name	Description	Local
<b>RESISTOR</b>				
R3101	NRSA63J-682X	MG R	6.8kΩ 1/16W J	
R3102	NRSA63J-102X	MG R	1kΩ 1/16W J	
R3103	NRSA63J-153X	MG R	15kΩ 1/16W J	
R3104	NRSA63J-682X	MG R	6.8kΩ 1/16W J	
R3105	NRSA63J-102X	MG R	1kΩ 1/16W J	
R3106	NRSA63J-272X	MG R	2.7kΩ 1/16W J	
R3107	NRSA63J-682X	MG R	6.8kΩ 1/16W J	
R3108	NRSA63J-102X	MG R	1kΩ 1/16W J	
R3109	NRSA63J-562X	MG R	5.6kΩ 1/16W J	
R3125	NRSA63J-222X	MG R	2.2kΩ 1/16W J	
R3126	QRE121J-393Y	C R	39kΩ 1/2W J	
R3142	NRSA63J-101X	MG R	100Ω 1/16W J	
R3150	QRZ0107-152Z	C R	1.5kΩ 1/2W K	
R3152	NRSA63J-101X	MG R	100Ω 1/16W J	
R3160	NRSA63J-101X	MG R	100Ω 1/16W J	
R3166	QRZ0107-152Z	C R	1.5kΩ 1/2W K	
R3170	QRZ0107-474Z	C R	470kΩ 1/2W K	
R3171	QRZ0107-152Z	C R	1.5kΩ 1/2W K	
R3172	NRSA63J-101X	MG R	100Ω 1/16W J	
△ R3175	QRZ9021-1R5	F R	1.5Ω 1W J	
R3176	QRE121J-123Y	C R	12kΩ 1/2W J	
R3211	NRSA63J-0R0X	MG R	0.0Ω 1/16W J	
R3212	NRSA63J-153X	MG R	15kΩ 1/16W J	
R3213	NRSA63J-222X	MG R	2.2kΩ 1/16W J	
R3214	NRSA63J-152X	MG R	1.5kΩ 1/16W J	
R3215	NRSA63J-680X	MG R	68Ω 1/16W J	
R3216	NRSA63J-221X	MG R	220Ω 1/16W J	
△ R3217	QRJ146J-100X	C R	10Ω 1/4W J	
R3221-22	NRSA63J-470X	MG R	47Ω 1/16W J	
R3224	NRSA63J-122X	MG R	1.2kΩ 1/16W J	
R3225-26	QRE121J-563Y	C R	56kΩ 1/2W J	
R3227	NRSA63J-122X	MG R	1.2kΩ 1/16W J	

△ Symbol No.	Part No.	Part Name	Description	Local
<b>RESISTOR</b>				
R3228	NRSA63J-390X	MG R	39Ω 1/16W J	
R3229-30	QRE121J-2R7Y	C R	2.7Ω 1/2W J	
R3231	NRSA63J-390X	MG R	39Ω 1/16W J	
R3232	QRE121J-121Y	C R	120Ω 1/2W J	
R3233	QRL029J-391	OM R	390Ω 2W J	
R3251	NRSA63J-822X	MG R	8.2kΩ 1/16W J	
R3252	NRSA63J-222X	MG R	2.2kΩ 1/16W J	
R3253	NRSA63J-101X	MG R	100Ω 1/16W J	
R3254	NRSA63J-563X	MG R	56kΩ 1/16W J	
R3255	NRSA63J-223X	MG R	22kΩ 1/16W J	
R3256	NRSA63J-681X	MG R	680Ω 1/16W J	
R3257	NRSA63J-102X	MG R	1kΩ 1/16W J	
R3258	NRSA63J-182X	MG R	1.8kΩ 1/16W J	
R3259	NRSA63J-102X	MG R	1kΩ 1/16W J	
R3260	NRSA63J-271X	MG R	270Ω 1/16W J	
R3261-63	NRSA63J-101X	MG R	100Ω 1/16W J	
R3264	NRSA63J-222X	MG R	2.2kΩ 1/16W J	
R3265	NRSA63J-102X	MG R	1kΩ 1/16W J	
R3266	NRSA63J-103X	MG R	10kΩ 1/16W J	
R3267	NRSA63J-102X	MG R	1kΩ 1/16W J	
R3268	NRSA63J-222X	MG R	2.2kΩ 1/16W J	
R3269	NRSA63J-102X	MG R	1kΩ 1/16W J	
R3270	NRSA63J-103X	MG R	10kΩ 1/16W J	
R3271	NRSA63J-102X	MG R	1kΩ 1/16W J	
R3272	NRSA63J-222X	MG R	2.2kΩ 1/16W J	
R3273	NRSA63J-102X	MG R	1kΩ 1/16W J	
R3274	NRSA63J-103X	MG R	10kΩ 1/16W J	
R3275	NRSA63J-102X	MG R	1kΩ 1/16W J	

**CAPACITOR**

C3101	QETN1CM-477Z	E CAP.	470μF 16V M	
C3102	QFK62EK-104Z	MM CAP.	0.1μF 250V K	
C3107	QETM2EM-336	E CAP.	33μF 250V M	
C3109	QCZ0131-472	C CAP.	4700pF 2000V K	
C3110	QCZ0131-222	C CAP.	2200pF 2000V K	
C3113	QCB31HK-222Z	C CAP.	2200pF 50V K	
C3121	QETN1HM-225Z	E CAP.	2.2μF 50V M	
C3122	QETN2EM-105Z	E CAP.	1μF 250V M	
C3204	NDC31HJ-561X	C CAP.	560pF 50V J	
C3205	QETN1HM-335Z	E CAP.	3.3μF 50V M	
C3206	QETN1HM-106Z	E CAP.	10μF 50V M	
C3209	QETN1CM-107Z	E CAP.	100μF 16V M	
C3211	NDC31HJ-391X	C CAP.	390pF 50V J	
C3212	QCB32HK-472Z	C CAP.	4700pF 500V K	
C3213	NDC31HJ-561X	C CAP.	560pF 50V J	
C3214	QETN2CM-106Z	E CAP.	10μF 160V M	
C3215	QCB32HK-472Z	C CAP.	4700pF 500V K	
C3216	QETN2CM-106Z	E CAP.	10μF 160V M	
C3217-18	QETN1AM-107Z	E CAP.	100μF 10V M	
C3219	QETN1AM-337Z	E CAP.	330μF 10V M	
C3251	QENC1HM-105Z	BP E CAP.	1μF 50V M	
C3252	NDC31HJ-151X	C CAP.	150pF 50V J	
C3253	NDC31HJ-560X	C CAP.	56pF 50V J	
C3255	NCB31HK-103X	C CAP.	0.01μF 50V K	
C3264-66	QETN1AM-107Z	E CAP.	100μF 10V M	

**COIL**

L3121	QQL244J-5R6Z	COIL	5.6μH J	
L3251	QQL244K-150Z	COIL	15μH K	

**DIODE**

D3108	MA3075/H-X	ZENER DIODE		
D3109	MA3051/H-X	ZENER DIODE		
D3110	MA111-X	SI.DIODE		
D3111	MA3051/H-X	ZENER DIODE		
D3112	MA111-X	SI.DIODE		
D3113	MA3051/H-X	ZENER DIODE		
D3114	MA111-X	SI.DIODE		
D3115-17	EU01N-T2	SI.DIODE		
D3121-23	1N4003-T2	SI.DIODE		

△ Symbol No.	Part No.	Part Name	Description	Local
<b>DIODE</b>				
D3124	MA111-X	SI.DIODE		
D3125	MTZJ75-T2	ZENER DIODE		
D3201-02	NRSA63J-0R0X	MG R	0.0Ω 1/16W J	
D3203	RGP10J-5025-T3	SI.DIODE		
D3204	RGP10J-5025-T3	SI.DIODE		

**TRANSISTOR**

Q3101-03	2SC2412K/QR-X	SI.TRANSISTOR		
Q3121	2SC4212Z1/	SI.TRANSISTOR		
Q3122	2SA1037AK/QR-X	SI.TRANSISTOR		
Q3204-05	2SC1740S/QR-T	SI.TRANSISTOR		
Q3206	2SA933AS/QR-T	SI.TRANSISTOR		
Q3209	2SA1964/DE/	SI.TRANSISTOR		
Q3210	2SC5248/DE/	SI.TRANSISTOR		
Q3251	2SA1037AK/QR-X	SI.TRANSISTOR		
Q3252	2SC2412K/QR-X	SI.TRANSISTOR		
Q3253	2SA1037AK/QR-X	SI.TRANSISTOR		
Q3261-63	2SA1037AK/QR-X	SI.TRANSISTOR		
Q3264-66	2SC2412K/QR-X	SI.TRANSISTOR		

**IC**

IC3101	TDA6107Q/N2	I C		
--------	-------------	-----	--	--

**OTHERS**

DL3261-63	CE41925-001	DELAY LINE		
△ FR3201	QRZ9021-561	F R	560Ω 1W J	
K3201-04	CE41492-001Z	CHOKE COIL		
SG3101-03	QAF0006-501	SPARK GAP		
△ SK3001	CE42670-001	C.R.T.SOCKET		

**FRONT CONTROL PW BOARD ASS'Y(SCH-8001A-H2)**

△ Symbol No.	Part No.	Part Name	Description	Local
<b>RESISTOR</b>				
R8482	NRSA63J-124X	MG R	120kΩ 1/16W J	
R8483	NRSA63J-683X	MG R	68kΩ 1/16W J	
R8484-85	NRSA63J-562X	MG R	5.6kΩ 1/16W J	
R8486	NRSA63J-333X	MG R	33kΩ 1/16W J	
R8487	NRSA63J-332X	MG R	3.3kΩ 1/16W J	
R8488	NRSA63J-154X	MG R	150kΩ 1/16W J	
R8489	NRSA63J-104X	MG R	100kΩ 1/16W J	
R8491-92	NRSA63J-0R0X	MG R	0.0Ω 1/16W J	
R8495	NRSA63J-152X	MG R	1.5kΩ 1/16W J	
R8497	NRSA63J-562X	MG R	5.6kΩ 1/16W J	
R8801	NRSA63J-332X	MG R	3.3kΩ 1/16W J	
R8802	NRSA63J-392X	MG R	3.9kΩ 1/16W J	
R8803	NRSA63J-682X	MG R	6.8kΩ 1/16W J	
R8805	NRSA63J-682X	MG R	6.8kΩ 1/16W J	
R8807	NRSA63J-181X	MG R	180Ω 1/16W J	
R8808	NRSA63J-221X	MG R	220Ω 1/16W J	
R8809	NRSA63J-331X	MG R	330Ω 1/16W J	
R8810	NRSA63J-471X	MG R	470Ω 1/16W J	
R8811	NRSA63J-821X	MG R	820Ω 1/16W J	
R8812	NRSA63J-122X	MG R	1.2kΩ 1/16W J	
R8813	NRSA63J-471X	MG R	470Ω 1/16W J	
R8814	NRSA63J-750X	MG R	75Ω 1/16W J	
R8815-16	QRE121J-271Y	C R	270Ω 1/2W J	
R8817-18	NRSA63J-102X	MG R	1kΩ 1/16W J	
R8819	NRSA63J-272X	MG R	2.7kΩ 1/16W J	
R8826	NRSA63J-0R0X	MG R	0.0Ω 1/16W J	
R8830-31	NRSA63J-222X	MG R	2.2kΩ 1/16W J	
△ R8901	QRZ0111-474	C R	470kΩ	

△ Symbol No.	Part No.	Part Name	Description	Local
<b>CAPACITOR</b>				
C8481-84	NCB21EK-224X	C CAP.	0.22μF 25V	K
C8485	QETN1EM-476Z	E CAP.	47μF 25V	M
C8660-61	QETM1VM-108	E CAP.	1000μF 35V	M
C8801	QETN1HM-106Z	E CAP.	10μF 50V	M
C8802	QETN1CM-107Z	E CAP.	100μF 16V	M
C8803	NCB31CK-104X	CH C CAP.	0.1μF 16V	K
C8815	QETN1CM-107Z	E CAP.	100μF 16V	M
△ C8901	QFZ9073-224	MF CAP.	0.22μF	
<b>DIODE</b>				
D8601-02	MTZJ75-T2	ZENER DIODE		
D8801	MA111-X	SI.DIODE		
D8802	P1241-04	C.D.S.		
D8803	SLR-342VR-T16	L.E.D.		
<b>TRANSISTOR</b>				
Q8481	2SC2412K/QR-X	SI.TRANSISTOR		
Q8801	2SA1037AK/QR-X	SI.TRANSISTOR		
<b>IC</b>				
IC8481	LA6515	I.C(MONO-ANA)		
IC8801	GP1U281Q	IFR DETECT UNIT		
<b>OTHERS</b>				
	CM35921-005-H	CDS HOLDER		
	CM36626-B01-H	L.E.D.HOLDER		
△ LF8901	QQR1035-002	LINE FILTER		
△ F8901	QMF51E2-4R0J4	FUSE		
FC8901	CEMG002-001Z	FUSE CLIP		
J8302	QNN0279-003	PIN JACK		
J8303	QNN0279-002	PIN JACK		
J8304	QNN0279-001	PIN JACK		
J8801	QNS0155-001	JACK		
S8801	QSW0619-003Z	PUSH SWITCH	CH+	
S8802	QSW0619-003Z	PUSH SWITCH	CH-	
S8803	QSW0619-003Z	PUSH SWITCH	MENU	
S8804	QSW0619-003Z	PUSH SWITCH	TV/VIDEO	
S8805	QSW0619-003Z	PUSH SWITCH	VOL+	
S8806	QSW0619-003Z	PUSH SWITCH	VOL-	
△ S8901	QSW0750-001	PUSH SWITCH	POWER	
△ VA8901	QAF0052-621	VARISTOR		

## DIFFERENCE PARTS LIST BETWEEN AV-29LS, AV-29LS-AU AND AV-29LH

In the DIFFERENCE PARTS LIST BETWEEN AV-29LS, AV-29LS-AU and AV-29LH, only difference points between these models are written. For other parts not mentioned in the list, please refer to the PARTS LIST(P42 – P45) for the AV-29LS.

### DIFFERENCE PARTS LIST

△	Symbol No.	Part No.			Part Name
		AV-29LS	AV-29LS-AU	AV-29LH	
		<b>SCH-1001A-H2</b>	<b>SCH-1016A-H2</b>	<b>SCH-1015A-H2</b>	<b>MAIN PWB</b>
	IC701	TDA9365N13S0436	←	TDA9386N12S0432	IC
	R1801	—	NRSA63J-750X (75Ω, 1/16W, J)	—	MG R
	R1802	—	NRSA63J-750X (75Ω, 1/16W, J)	—	MG R
	R1817	—	NRSA63J-101X (100Ω, 1/16W, J)	—	MG R
	R1819	—	NRSA63J-101X (100Ω, 1/16W, J)	—	MG R
	C1806	—	QFLC1HJ-104Z (0.1μF, 50V, J)	—	M CAP.
	C1809	—	NCB31HK-103X (0.01μF, 50V, K)	—	C CAP.
	J1801	QNN0349-001	QNZ0454-001	QNN0349-001	PIN JACK



△ Symbol No.	Part No.	Part Name	Description	Local
<b>RESISTOR</b>				
R1746	NRSA63J-333X	MG R	33kΩ 1/16W J	
R1747	NRSA63J-103X	MG R	10kΩ 1/16W J	
R1748	QRE141J-394Y	C R	390kΩ 1/4W J	
R1749	QRE141J-334Y	C R	330kΩ 1/4W J	
R1755-56	NRSA63J-101X	MG R	100Ω 1/16W J	
R1757-58	NRSA63J-222X	MG R	2.2kΩ 1/16W J	
R1803	NRSA63J-333X	MG R	33kΩ 1/16W J	
R1804-07	NRSA63J-750X	MG R	75Ω 1/16W J	
R1808	NRSA63J-823X	MG R	82kΩ 1/16W J	
R1809	NRSA63J-391X	MG R	390Ω 1/16W J	
R1810	NRSA63J-823X	MG R	82kΩ 1/16W J	
R1811	NRSA63J-391X	MG R	390Ω 1/16W J	
R1812	NRSA63J-104X	MG R	100kΩ 1/16W J	
R1813	NRSA63J-222X	MG R	2.2kΩ 1/16W J	
R1815	NRSA63J-101X	MG R	100Ω 1/16W J	
R1818	NRSA63J-222X	MG R	2.2kΩ 1/16W J	
R1820	NRSA63J-101X	MG R	100Ω 1/16W J	
R1821	NRSA63J-222X	MG R	2.2kΩ 1/16W J	
R1823	NRSA63J-101X	MG R	100Ω 1/16W J	
R1824	NRSA63J-222X	MG R	2.2kΩ 1/16W J	
R1826	NRSA63J-101X	MG R	100Ω 1/16W J	
R1830-31	NRSA63J-222X	MG R	2.2kΩ 1/16W J	
R1832	NRSA63J-391X	MG R	390Ω 1/16W J	
R1833	NRSA63J-331X	MG R	330Ω 1/16W J	
R1834-35	NRSA63J-562X	MG R	5.6kΩ 1/16W J	
R1836	NRSA63J-750X	MG R	75Ω 1/16W J	
R1837	NRSA63J-101X	MG R	100Ω 1/16W J	
R1838	QRK126J-121X	C R	120Ω 1/2W J	
R1839-40	QRE121J-221Y	C R	220Ω 1/2W J	
R1841-42	NRSA63J-0R0X	MG R	0.0Ω 1/16W J	
R1843	NRSA63J-821X	MG R	820Ω 1/16W J	
R1844	NRSA63J-222X	MG R	2.2kΩ 1/16W J	
R1845	NRSA63J-102X	MG R	1kΩ 1/16W J	
R1846	NRSA63J-222X	MG R	2.2kΩ 1/16W J	
R1847	NRSA63J-103X	MG R	10kΩ 1/16W J	
R1848	NRSA63J-221X	MG R	220Ω 1/16W J	
R1849	NRSA63J-471X	MG R	470Ω 1/16W J	
R1880	NRSA63J-202X	MG R	2kΩ 1/16W J	
R1881	NRSA63J-103X	MG R	10kΩ 1/16W J	
R1882	NRSA63J-181X	MG R	180Ω 1/16W J	
R1883	NRSA63J-471X	MG R	470Ω 1/16W J	
R1902	QRF154K-2R2	UNF R	2.2Ω K	
R1903	QRL039J-473	OM R	47kΩ 3W J	
R1904	QRE121J-681Y	C R	680Ω 1/2W J	
R1905	QRM034J-R10	MP R	0.1Ω J	
R1908	NRSA63J-103X	MG R	10kΩ 1/16W J	
R1909	QRE121J-274Y	C R	270kΩ 1/2W J	
R1911	QRE121J-472Y	C R	4.7kΩ 1/2W J	
R1912	QRE121J-222Y	C R	2.2kΩ 1/2W J	
R1913	QRZ9017-4R7	F R	4.7Ω 1/4W J	
R1914	QRL039J-473	OM R	47kΩ 3W J	
R1915	QRE121J-394Y	C R	390kΩ 1/2W J	
R1916	QRE121J-332Y	C R	3.3kΩ 1/2W J	
R1917	NRSA63J-101X	MG R	100Ω 1/16W J	
R1918	NRSA63J-224X	MG R	220kΩ 1/16W J	
R1919	NRSA63J-104X	MG R	100kΩ 1/16W J	
R1920	NRSA63J-473X	MG R	47kΩ 1/16W J	
R1921	QRE121J-563Y	C R	56kΩ 1/2W J	
R1951	QRE121J-223Y	C R	22kΩ 1/2W J	
R1952	NRSA63J-222X	MG R	2.2kΩ 1/16W J	
R1953	QRE121J-152Y	C R	1.5kΩ 1/2W J	
R1955	QRG01GJ-470	OM R	47Ω 1W J	
R1957	QRE121J-5R6Y	C R	5.6Ω 1/2W J	
R1958	QRL039J-820	OM R	82Ω 3W J	
R1959	QRE121J-820Y	C R	82Ω 1/2W J	
R1960	NRSA63J-391X	MG R	390Ω 1/16W J	
R1961	QRL02EJ-223X	OM R	22kΩ 2W J	
R1963	QRE121J-332Y	C R	3.3kΩ 1/2W J	
R1964	NRSA63J-103X	MG R	10kΩ 1/16W J	
R1965	NRSA63J-0R0X	MG R	0.0Ω 1/16W J	
R1966	NRSA63J-682X	MG R	6.8kΩ 1/16W J	
R1967	NRSA63J-473X	MG R	47kΩ 1/16W J	

△ Symbol No.	Part No.	Part Name	Description	Local
<b>RESISTOR</b>				
R1969	QRT02EJ-2R7X	MF R	2.7Ω 2W J	
R1970	NRSA63J-153X	MG R	15kΩ 1/16W J	
R1971	NRSA63J-183X	MG R	18kΩ 1/16W J	
△ R1991	QRZ0057-825	C R	8.2MΩ 1W J	
<b>CAPACITOR</b>				
C1001	NCB31HK-103X	C CAP.	0.01μF 50V K	
C1002	QETN1HM-106Z	E CAP.	10μF 50V M	
C1003	QFV71HJ-104Z	MF CAP.	0.1μF 50V J	
C1004	QETN1CM-477Z	E CAP.	470μF 16V M	
C1005	NCB31HK-222X	CH C CAP.	2200pF 50V K	
C1006	QETN1CM-336Z	E CAP.	33μF 16V M	
C1007	NCB31HK-103X	C CAP.	0.01μF 50V K	
C1101-05	NCB31HK-472X	C CAP.	4700pF 50V K	
C1106-07	NCB31HK-103X	C CAP.	0.01μF 50V K	
C1109	QETN1HM-106Z	E CAP.	10μF 50V M	
C1130-32	NCB31HK-103X	C CAP.	0.01μF 50V K	
C1133	QETN1CM-107Z	E CAP.	100μF 16V M	
C1134	NCB31HK-103X	C CAP.	0.01μF 50V K	
C1135	QETN1EM-476Z	E CAP.	47μF 25V M	
C1136-38	NCB31HK-103X	C CAP.	0.01μF 50V K	
C1140-42	NCB31HK-103X	C CAP.	0.01μF 50V K	
C1143	QETN1HM-106Z	E CAP.	10μF 50V M	
C1144	NCB31HK-223X	CH C CAP.	0.022μF 50V K	
C1301-02	NCB31CK-104X	CH C CAP.	0.1μF 16V K	
C1303-05	NCB31HK-103X	C CAP.	0.01μF 50V K	
C1306	NCB31CK-104X	CH C CAP.	0.1μF 16V K	
C1307	NDC31HJ-330X	C CAP.	33pF 50V J	
C1308	NCB31HK-103X	C CAP.	0.01μF 50V K	
C1401	QETN1HM-105Z	E CAP.	1μF 50V M	
C1402	QCB31HK-682Z	C CAP.	6800pF 50V K	
C1403	QEHR1VM-107Z	E CAP.	100μF 35V M	
C1411-12	NCF21HZ-334X	C CAP.	0.33μF Z	
C1413	QFLC2AJ-563Z	M CAP.	0.056μF 100V J	
C1422	QEHR1VM-108Z	E CAP.	1000μF 35V M	
C1471	QETN1HM-106Z	E CAP.	10μF 50V M	
C1480	QETN1HM-106Z	E CAP.	10μF 50V M	
C1483	QEZ0195-475Z	E CAP.	4.7μF 50V M	
C1485	QETN1HM-226Z	E CAP.	22μF 50V M	
C1521	QETN1VM-476Z	E CAP.	47μF 35V M	
C1522	QFLC1HJ-332Z	M CAP.	3300pF 50V J	
C1523	QFLC1HJ-223Z	M CAP.	0.022μF 50V J	
C1524	QFZ0196-382	MPP CAP.	3800pF 1.5kVH ±3%	
C1525	QFZ0200-143	MPP CAP.	0.014μF 1.5kVH ±3%	
C1526	QFP32JJ-223	PP CAP.	0.022μF J	
C1527-28	QFZ0199-224	MPP CAP.	0.22μF 250V J	
C1529	QENC2AM-225Z	BP E CAP.	2.2μF 100V M	
C1530	QCB32HK-561Z	C CAP.	560pF 500V K	
C1531	QEHR1EM-108Z	E CAP.	1000μF 25V M	
C1532	QCB32HK-561Z	C CAP.	560pF 500V K	
C1533	QEHR1EM-108Z	E CAP.	1000μF 25V M	
C1534	QCB32HK-561Z	C CAP.	560pF 500V K	
C1536	QFLC1HJ-103Z	M CAP.	0.01μF 50V J	
C1540	QFV71HJ-104Z	MF CAP.	0.1μF 50V J	
C1541	QETN2EM-106Z	E CAP.	10μF 250V M	
C1550	NCB31CK-104X	CH C CAP.	0.1μF 16V K	
C1561	QFV71HJ-154Z	MF CAP.	0.15μF 50V J	
C1566	QFZ0200-113	MPP CAP.	0.011μF 1.5kVH ±3%	
C1591	QETN1AM-107Z	E CAP.	100μF 10V M	
C1592	QETM2CM-227	E CAP.	220μF 160V M	
C1593	QETN1EM-476Z	E CAP.	47μF 25V M	
C1625	QETN1HM-106Z	E CAP.	10μF 50V M	
C1626	QETN1CM-107Z	E CAP.	100μF 16V M	
C1629	QETN1HM-475Z	E CAP.	4.7μF 50V M	
C1630	NDC31HJ-471X	C CAP.	470pF J	
C1631	NCB31EK-333X	CH C CAP.	0.033μF 25V K	
C1634	QETN1HM-106Z	E CAP.	10μF 50V M	
C1636-37	QETN1HM-475Z	E CAP.	4.7μF 50V M	
C1638	NCB31EK-333X	CH C CAP.	0.033μF 25V K	
C1639	NDC31HJ-471X	C CAP.	470pF J	
C1640	QETN1HM-475Z	E CAP.	4.7μF 50V M	
C1641	QETN1CM-107Z	E CAP.	100μF 16V M	



△ Symbol No.	Part No.	Part Name	Description	Local
<b>DIODE</b>				
D1906	MTZJ27B-T2	ZENER DIODE		
D1907	MTZJ33B-T2	ZENER DIODE		
D1908	MA3200/M-X	ZENER DIODE		
D1909	MA111-X	SI.DIODE		
D1910	MA3075/H-X	ZENER DIODE		
D1911	RGP10J-5025-T3	SI.DIODE		
D1912	RGP10J-5025-T3	SI.DIODE		
D1913	RGP10M-5010-T3	SI DIODE		
D1914	1SS133-T2	SI.DIODE		
D1915	MA3068/M-X	ZENER DIODE		
D1916	MTZJ15B-T2	ZENER DIODE		
D1950	RGP10J-5025-T3	SI.DIODE		
D1952	ERC30-02L38	SI.DIODE		
D1953	RGP10J-5025-T3	SI.DIODE		
D1954	RU30A-F1	SI.DIODE		
D1955	1SR35-400A-T2	SI.DIODE		
D1956	31DF6N-FC5	DIODE		
D1958	MTZJ5.1A-T2	ZENER DIODE		
D1960	MA111-X	SI.DIODE		
D1964	MA3330/L-X	ZENER DIODE		
D1966	MA3039/H-X	ZENER DIODE		
D1968-69	MA111-X	SI.DIODE		
D1970	MTZJ9.1B-T2	ZENER DIODE		
D1971	MA111-X	SI.DIODE		

**TRANSISTOR**

Q1101	2SC5083/L-P-T	SI.TRANSISTOR		
Q1102	DTC124EKA-X	DIGI.TRANSISTOR		
Q1104	2SA1037AK/QR/-X	SI.TRANSISTOR		
Q1105-06	DTC124EKA-X	DIGI.TRANSISTOR		
Q1107	2SA1037AK/QR/-X	SI.TRANSISTOR		
Q1108	2SC2412K/QR/-X	SI.TRANSISTOR		
Q1109	2SA1037AK/QR/-X	SI.TRANSISTOR		
Q1110	DTC124EKA-X	DIGI.TRANSISTOR		
Q1111	2SC2412K/QR/-X	SI.TRANSISTOR		
Q1130	2SA1037AK/QR/-X	SI.TRANSISTOR		
Q1131	DTC124EKA-X	DIGI.TRANSISTOR		
Q1132	2SC2412K/QR/-X	SI.TRANSISTOR		
Q1133	2SA1037AK/QR/-X	SI.TRANSISTOR		
Q1134-35	DTC124EKA-X	DIGI.TRANSISTOR		
Q1136-37	2SC2412K/QR/-X	SI.TRANSISTOR		
Q1301-02	2SA1037AK/QR/-X	SI.TRANSISTOR		
Q1303	DTC124EKA-X	DIGI.TRANSISTOR		
Q1304	2SC2412K/QR/-X	SI.TRANSISTOR		
Q1480	2SD1408/OY/-LB	SI.TRANSISTOR		
Q1521	2SC2655/Y/-T	SI.TRANSISTOR		
Q1522	2SD2634-YD	SI.TRANSISTOR		
Q1591	2SA1208/ST/Z1-T	SI.TRANSISTOR		
Q1592	DTC124EKA-X	DIGI.TRANSISTOR		
Q1660-61	2SC2412K/QR/-X	SI.TRANSISTOR		
Q1683-84	2SA1037AK/QR/-X	SI.TRANSISTOR		
Q1685-86	DTC323TK-X	DIGI.TRANSISTOR		
Q1687	2SC2412K/QR/-X	SI.TRANSISTOR		
Q1688	2SA1037AK/QR/-X	SI.TRANSISTOR		
Q1701-02	2SA1037AK/QR/-X	SI.TRANSISTOR		
Q1703	2SC2412K/QR/-X	SI.TRANSISTOR		
Q1720	2SA1037AK/QR/-X	SI.TRANSISTOR		
Q1801-02	DTC323TK-X	DIGI.TRANSISTOR		
Q1803	2SA1037AK/QR/-X	SI.TRANSISTOR		
Q1804	2SC1740S/QR/-T	SI.TRANSISTOR		
Q1833	QETN1HM-226Z	E CAP.	22μF	50V M
Q1860	2SC2412K/QR/-X	SI.TRANSISTOR		
Q1861-62	2SA1037AK/QR/-X	SI.TRANSISTOR		
Q1901	2SC3852A	SI TRANSISTOR		
Q1902-03	2SA1037AK/QR/-X	SI.TRANSISTOR		
Q1951	2SA1013/RO/-T	SI.TRANSISTOR		

**IC**

IC1130	M52342SP	I.C(MONO-ANA)		
IC1301	TDA9181T/N1-X	I.C(MONO-ANA)		
IC1401	LA78041	I.C(MONO-ANA)		
IC1461	JLC1562BF-X	I.C(DIGI-MOS)		
IC1480	UPC358G2-XE	I.C(MONO-ANA)		

△ Symbol No.	Part No.	Part Name	Description	Local
<b>IC</b>				
IC1602	BH3865S	I.C		
IC1650	AN5277	I.C(MONO-ANA)		
IC1701	TDA9386N12S0432	I.C		
IC1702	BR24C08-29LS	I.C(MEMORY-OTH)	(SERVICE)	
IC1801	MM1492AF	I.C		
IC1901	STR-F6456S/F7	I.C(HYBRID)		
IC1951	SE135N	I.C(HYBRID)		
IC1972	L88M33T-X	I.C		
IC1973	BA17812T	I.C(MONO-ANA)		
IC1974	BA51W12ST-V5	I.C(MONO-ANA)		

**OTHERS**

CF1103	TPSH6.0MB	CERAMIC FILTER		
CF1104	TPS5.5MW	CERAMIC FILTER		
CF1105	TPS6.5MB	CERAMIC FILTER		
CF1106	QAX0639-001Z	CERAMIC FILTER		
CF1130	QAX0642-001Z	CERAMIC FILTER		
CF1140	QAX0336-001	CERAMIC FILTER		
CF1141	QAX0337-001	CERAMIC FILTER		
CF1142	QAX0338-001	CERAMIC FILTER		
△ CP1650	ICP-N50-Y	I.C.PROTECT		
△ CP1951	ICP-N75-Y	I.C.PROTECT		
△ CP1953	ICP-N38-Y	I.C.PROTECT		
J1801	QNN0349-001	PIN JACK		
J1802	QNN0349-002	PIN JACK		
J1803	QNN0348-001	PIN JACK		
J1804	QNN0349-001	PIN JACK		
K1301	CE41433-001Z	BEADS CORE		
K1903	QQR1214-001Y	FERRITE BEADS		
K1904	CE42050-001Z	CORE		
K1951	QQR1214-001Y	FERRITE BEADS		
K1953-55	QQR1214-001Y	FERRITE BEADS		
△ LF1901	QQR1035-002	LINE FILTER		
△ PC1901	PC123F2	I.C(PH.COUPLER)		
△ RY1901	QSK0061-001	RELAY		
SF1101	QAX0325-001	SAW FILTER		
SF1102	QAX0594-001	SAW FILTER		
TH1901	QAD0134-4R5	W-PTC		
TU1001	QAU0185-003	TUNER		
X1701	QAX0688-001	X TAL		

**CRT SOCKET PW BOARD ASS'Y(SCH-3001A-H2)**

Parts list is the same as for AV-29LS. Refer to page 45 .

**FRONT CONTROL PW BOARD ASS'Y(SCH-8001A-H2)**

Parts list is the same as for AV-29LS. Refer to page 46.



## DIFFERENCE PARTS LIST BETWEEN AV-29LX, AV-29LX-A, AV-29LX-AU AND AV-2908TEE

In the DIFFERENCE PARTS LIST BETWEEN AV-29LX, AV-29LX-A, AV-29LX-AU and AV-2908TEE, only difference points between these models are written. For other parts not mentioned in the list, please refer to the PARTS LIST(P49 – P52) for the AV-29LX.

### DIFFERENCE PARTS LIST

△	Symbol No.	Part No.				Part Name
		AV-29LX	AV-29LX-A	AV-29LX-AU	AV-2908TEE	
		<b>SCH-1002A-H2</b>	←	<b>SCH-1018A-H2</b>	<b>SCH-1017A-H2</b>	<b>MAIN PWB</b>
	IC1701	TDA9386N12S0432	←	←	TDA9365N13S0431	IC
	R1801	—	—	NRSA63J-750X (75Ω, 1/16W, J)	—	MG R
	R1802	—	—	NRSA63J-750X (75Ω, 1/16W, J)	—	MG R
	R1817	—	—	NRSA63J-101X (100Ω, 1/16W, J)	—	MG R
	R1819	—	—	NRSA63J-101X (100Ω, 1/16W, J)	—	MG R
	C1806	—	—	QFLC1HJ-104Z (0.1μF, 50V, J)	—	M CAP.
	C1809	—	—	NCB31HK-103X (0.01μF, 50V, K)	—	C CAP.
	J1801	QNN0349-001	←	QNZ0454-001	QNN0349-001	PIN JACK

## REMOTE CONTROL UNIT PARTS LIST

**RM-C352-1C [AV-29LS, AV-29LS-AU]**

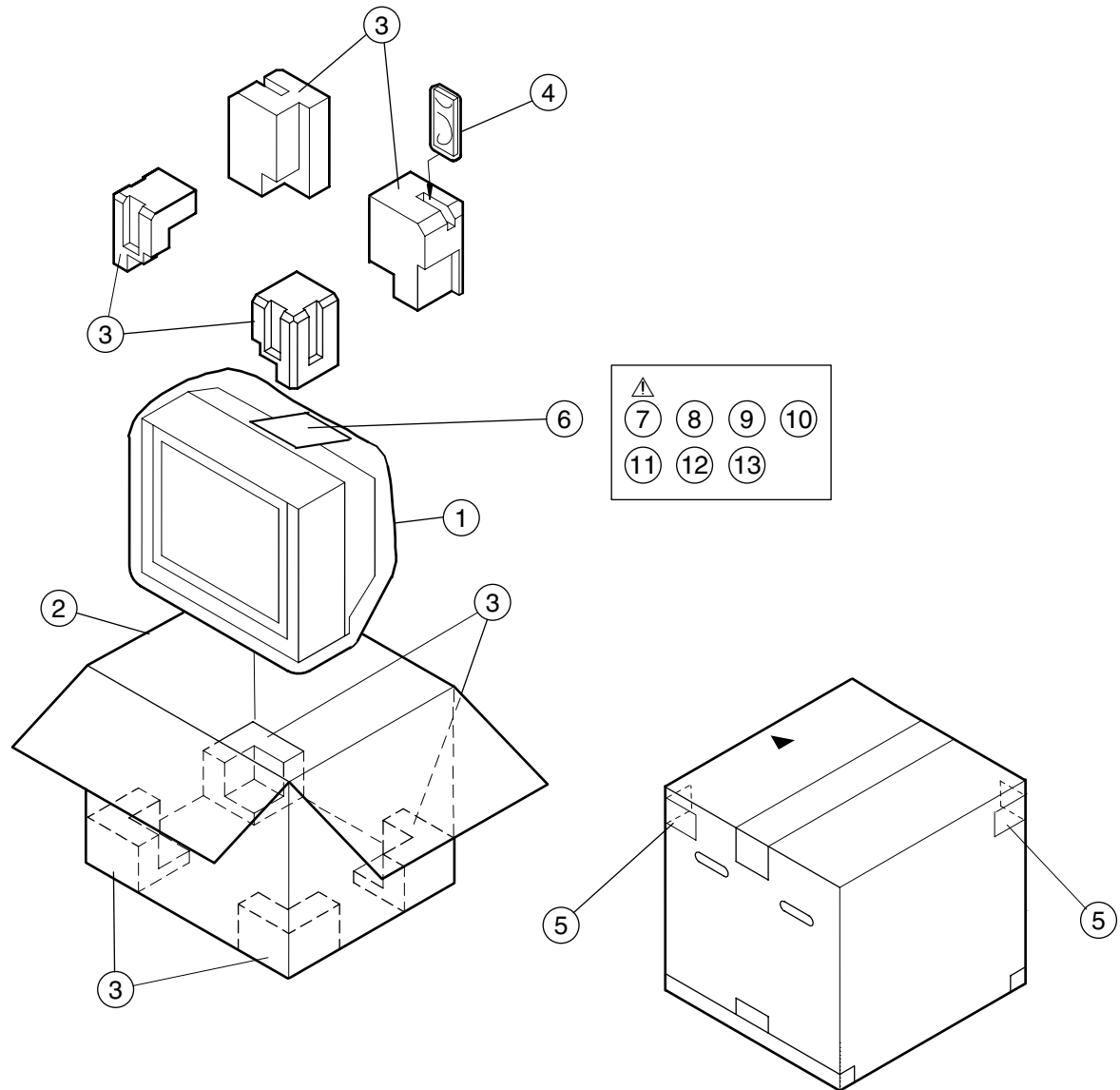
**RM-C353-1C [AV-29LH]**

**RM-C357-1C [AV-29LX, AV-29LX-A, AV-29LX-AU]**

**RM-C355-1C [AV-2908TEE]**

△ Ref. No.	Part No.	Part Name	Description	Local
	31392340128	BATTERY COVER		

# PACKING



## PACKING PARTS LIST

△ Ref.No.	Part No.	Part Name	Description	Local
1	CP30967-004-H	POLY BAG		
2	GG10044-022A-H	P CASE		
3	LC11066-002A-H	CUSHION ASSY		
4	RM-C352-1C	RC HAND UNIT	[AV-29LS, AV-29LS-AU]	
4	RM-C353-1C	RC HAND UNIT	[AV-29LH]	
4	RM-C357-1C	RC HAND UNIT	[AV-29LX, AV-29LX-A, AV-29LX-AU]	
4	RM-C355-1C	RC HAND UNIT	[AV-2908TEE]	
5	GG20012-001A-H	CORNER LABEL		
6	CP30966-001-H	POLY BAG		
△ 7	LCT0935-001A-H	INST BOOK	[AV-29LS, AV-29LS-AU, AV-29LX, AV-29LX-A, AV-29LX-AU]	
△ 7	LCT1006-001A-H	INST BOOK	[AV-29LH]	
△ 7	LCT1007-001A-H	INST BOOK	[AV-2908TEE]	
8	BT-56001-2	WARRANTY CARD	[AV-29LS-AU, AV-29LX-AU]	
8	BT-54012-2	WARRANTY CARD	[AV-2908TEE]	
9	BT-56002-2	S CENTER LIST	[AV-29LS-AU, AV-29LX-AU]	
10	LCT0937-001A-H	DIGEST MANUAL	[AV-29LX, AV-29LX-A, AV-29LX-AU]	
11	QAM0055-001	CONVERSION PLUG	[AV-29LX-A, AV-29LX-AU]	
12	LC1057-001A-H	INST SHEET	[AV-29LS, AV-29LS-AU]	
13	LC1058-001A-H	INST SHEET	[AV-2908TEE]	